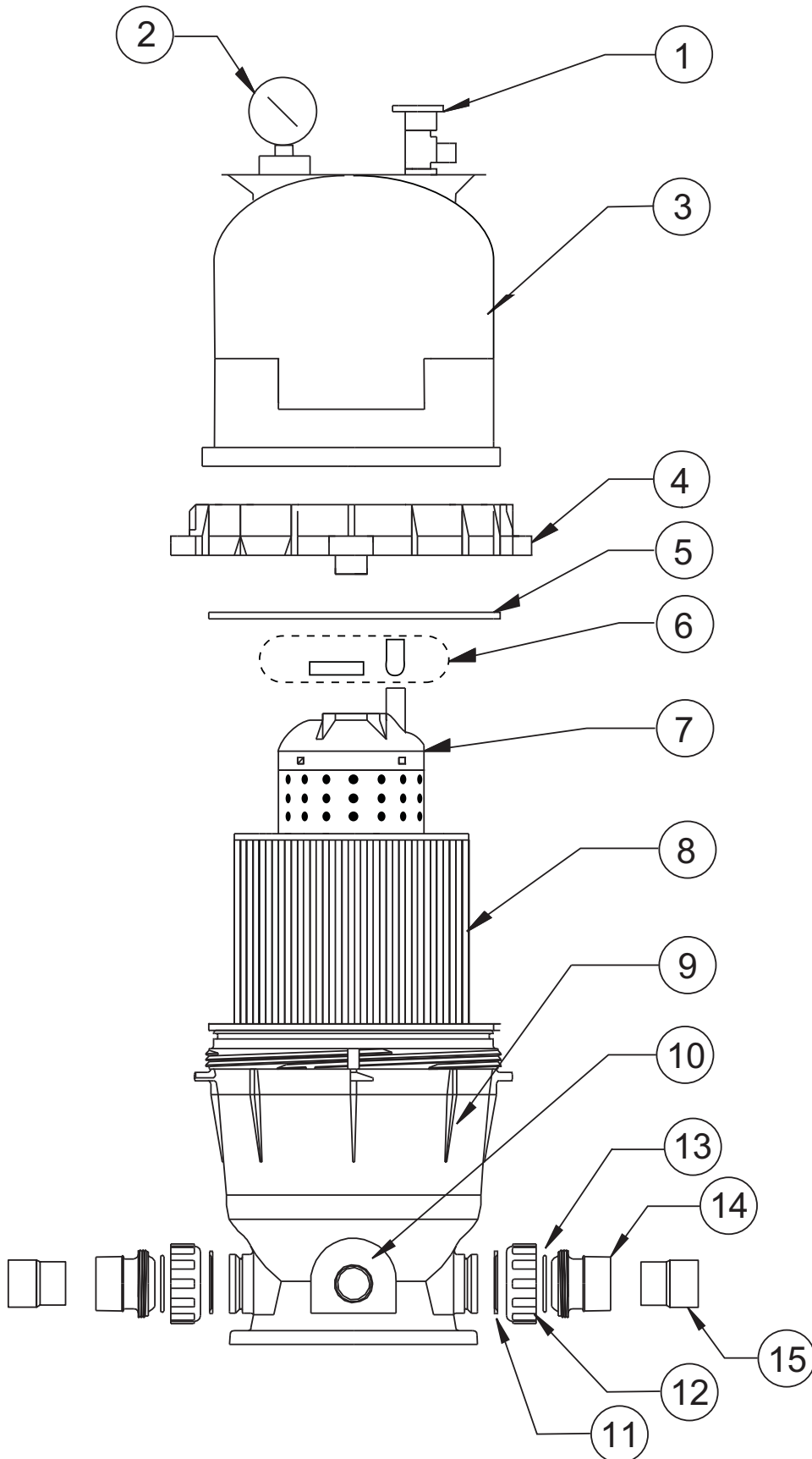


CLEAN & CLEAR®

Replacement Parts



Filters

Filtration systems

Valves

Pumps

Motors

Cleaners

CLEAN & CLEAR®

Replacement Parts

No.	Part No.	Description	Part No.	Includes
1	H-98209800	High Flow™ manual Air Relief Valve		1
2	H-19-0058	Manometer - Pressure Gauge		1
3	H-17-8553	Lid (50 & 100sq.ft. Filter)		1
	178651	Lid (75, 150 & 200sq.ft. Filter)		1
4	59052900	Locking Ring Assembly		1
5	H-87300400	O-Ring Body		1
6	H-59016200	Air Bleed Sock Kit		1
7	H-59053500	Center Core, 50sq.ft. Filter		1
	59053600	Center Core, 75sq.ft. Filter		1
	H-59053700	Center Core, 100sq.ft. Filter		1
	59053800	Center Core, 150 & 200sq.ft. Filter		1
8	H-RAF173213	Cartridge, 50sq.ft Filter		1
	H-RAF173214	Cartridge, 75sq.ft Filter		1
	H-RAF173215	Cartridge, 100sq.ft Filter		1
	H-RAF173216	Cartridge, 150sq.ft Filter		1
	H-RAF173217	Cartridge, 200sq.ft Filter		1
9	178562	Bottom, 50sq.ft Filter		1
	178554	Bottom, 75sq.ft Filter		1
	178563	Bottom, 100sq.ft Filter		1
	178560	Bottom, 150 & 200sq.ft Filter		1
10	H-86202000	Drain Cap Assembly		1
	H-51005000	Drain Cap Gasket		1
11	H-39104500	Union Nut "C" Clip		1
12	H-98212200	Union Nut		1
13	H-07-1426	Union O-ring		1
14	H-79304600	Body, Swivel		1
15	A-6348-50	EU Slip fit Adaptors 50mm pipes (2 needed)		1

Rev. 08/2010